

**Universal Field Controller for motorized fire and smoke extraction dampers for bus (Modbus or BACnet) or analog connection into a superior system. With separate phase for electronics (24 V AC/DC) and actuator power supply (24 V AC/DC...230 V AC).**

- **New flexibility:** Universal System Link between motorized fire or smoke extraction damper and any Modbus or BACnet system or analog control
- **Universal with attractive pricing:** With the UFC24-230 always the right field controller on hand at very attractive prices
- **Automatic baud rate detection:** Integrated in the UFC24-230 when connected by BACnet to any BACnet controller or with the controllers from SMT
- **Additional features as standard:** Bus monitoring functionality BACnet AND Modbus, run time monitoring of the actuator as well as full auto test function are integrated in each UFC24-230
- **Compatibility:** The UFC24-230 is compatible for all major 24 V AC/DC ... 230 V AC fire or smoke extraction standard type damper actuators
- **Easy to install:** Thanks to the new mounting bracket the UFC24-230 can easily be snapped-on any time during the project (at the damper manufacturer or at the job site). AMP plug-in and quick connections (terminals)
- **Easy configuration of control modes (via dip switch terminal):**
  - Fire or smoke extraction application
  - Bus protocols: Modbus or BACnet
  - Digital input for conventional application, analog output
- **Safety function:** Application dedicated safety function for fire and smoke extraction dampers. Digital input can be used for the manual override safety function (Fire Alarm System)
- **Clear indication:** Easy and clear indication of function, position and status with LEDs
- **Easy testing:** Independent functional control through test key at any time



### Technical Data

Nominal Voltage UFC24-230	24 V AC / DC
Nominal Voltage Actuators	24 V AC/DC - 230 V AC
Nominal Voltage Range	-20%... + 20%
Dimensioning	2 VA + damper actuator (max. 24 VA)
Power Consumption	2 W + damper actuator
Connections	AMP plug-in connections and quick connections (terminals)
Communication	Modbus RTU (RS-485), BACnet MS/TP (RS-485)
Protection Degree	IP42, housing of non-flammable polycarbonate
Certified	TÜV, CE

For more details see Technical Data Sheet

### Application

The UFC24-230 is used together with a fire or smoke extraction damper actuator to control and monitor the fire or smoke extraction dampers. This Universal Field Controller can be integrated via Modbus, BACnet or with a digital input into a superior system. It is used for the connection of 24 V AC/DC ... 230 V AC actuators and is mounted at or close to the dampers.

### Additional Connections

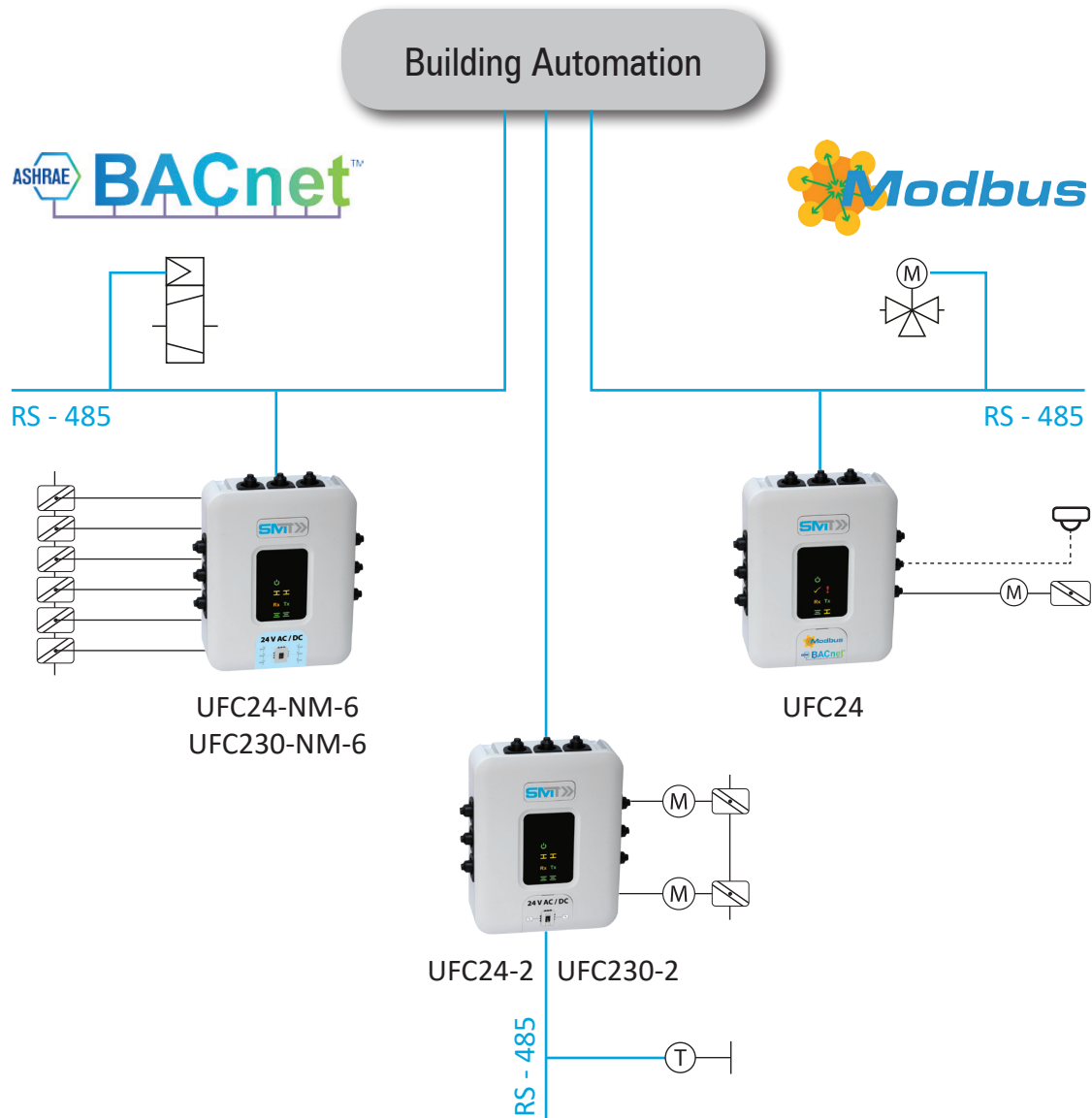
#### Inputs

- 1 for thermoelectric tripping device
- 1 for smoke detector
- Digital input for analog application

#### Output

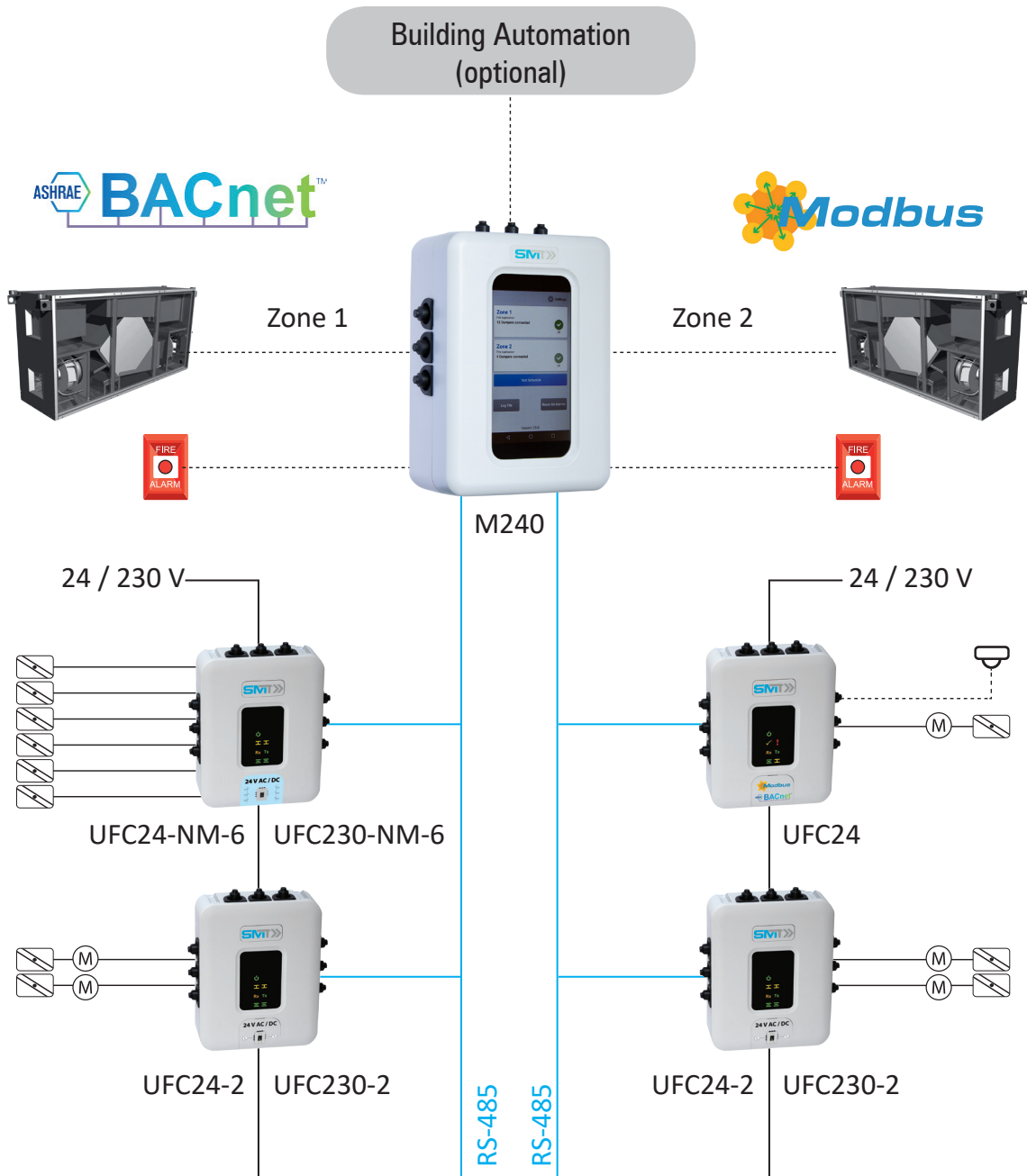
- 1 analog output. Indicates the status of the UFC24-230

## Direct Integration



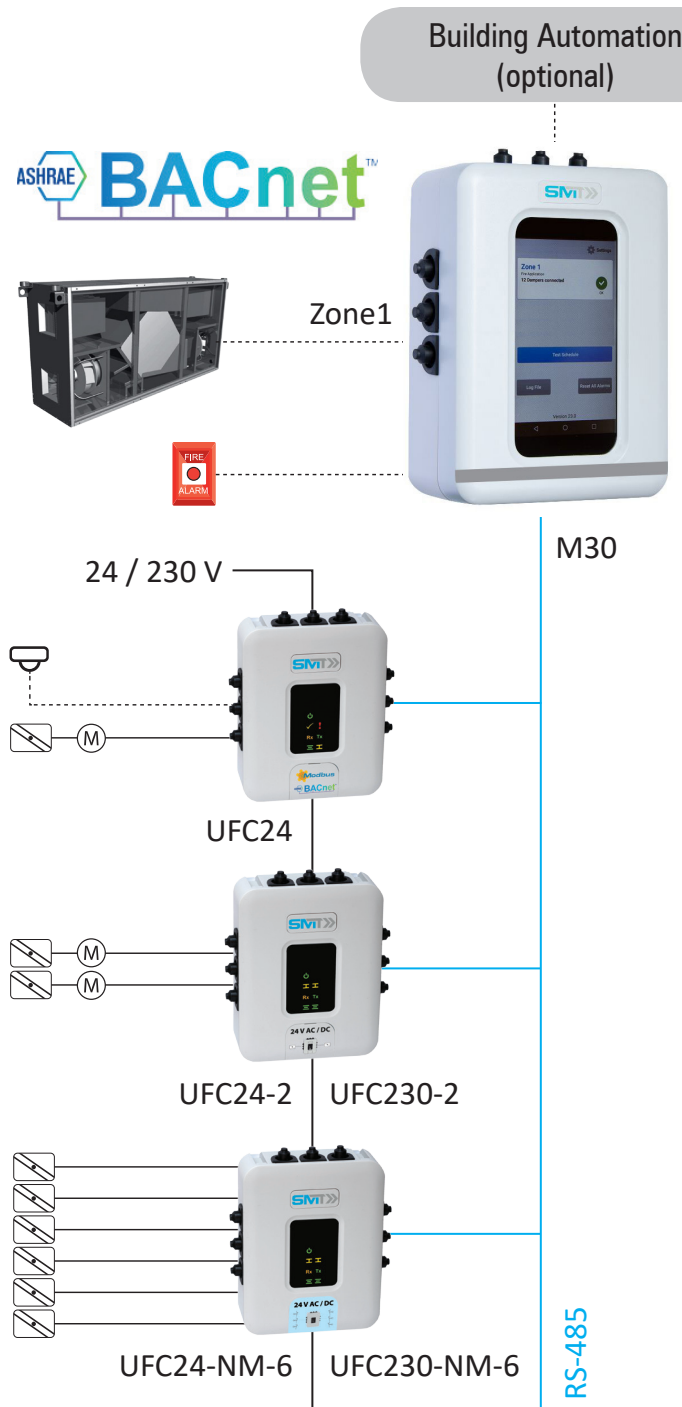
- Upon request, SMT supplies the functional profile of the UFC devices for the easy integration into any Modbus or BACnet controller

## Universal System M240



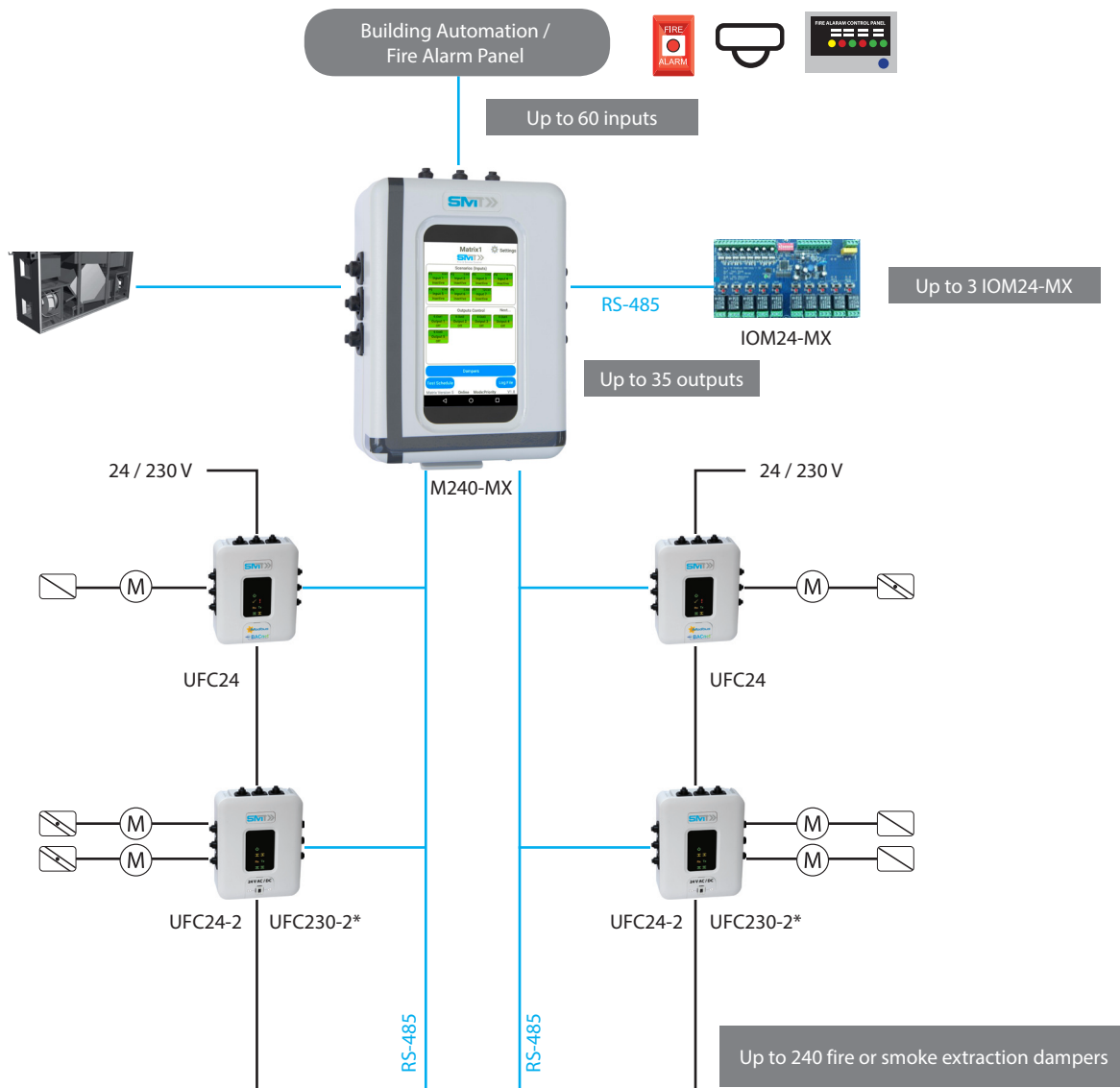
- Upon request, SMT supplies the functional profile of the UFC devices for the easy integration into any Modbus or BACnet controller
- Individual control of 2 dampers together with the UFC24-2 / UFC230-2
- UFC devices are available for the connection of 24 V and 230 V actuators (24 V: UFC24, UFC24-2; 230 V: UFC24-230, UFC230-2)
- UFC devices are available for non-motorized fire dampers / for up to 6 end limit switches (24 V: UFC24-NM-6; 230 V: UFC230-NM-6)

## Universal System M30



- Individual control of 2 dampers together with the UFC24-2 / UFC230-2
- UFC devices are available for the connection of 24 V and 230 V actuators (24 V: UFC24, UFC24-2; 230 V: UFC24-230, UFC230-2)
- UFC devices are available for non-motorized fire dampers / for up to 6 end limit switches (24 V: UFC24-NM-6; 230 V: UFC230-NM-6)

## Universal Matrix System M240-MX



- Up to 60 inputs / scenarios
- Up to 35 outputs (e.g. ventilators)
- Up to 240 fire or smoke extraction dampers
- 3 lines (lines 1 and 2: up to 60 UFC devices / line. Line 4: up to 3 IOM24-MX)
- Modular expansion of I/O's based on project size (via up to 3 IOM24-MX)
- Individual control of 2 dampers together with the UFC24-2 / UFC230-2
- UFC devices are available for the connection of 24 V and 230 V actuators (24 V: UFC24, UFC24-2; 230 V: UFC230-2, UFC24-230)
- UFC24, UFC24-230 and UFC24-2 for fire and smoke extraction dampers  
\*UFC230-2 for fire dampers only



Systems & Modules Technology AG  
 Bachtelstrasse 32  
 CH-8636 Wald  
 Switzerland  
 Phone: +41 55 241 10 20  
 Mail: info@smtec-ag.ch