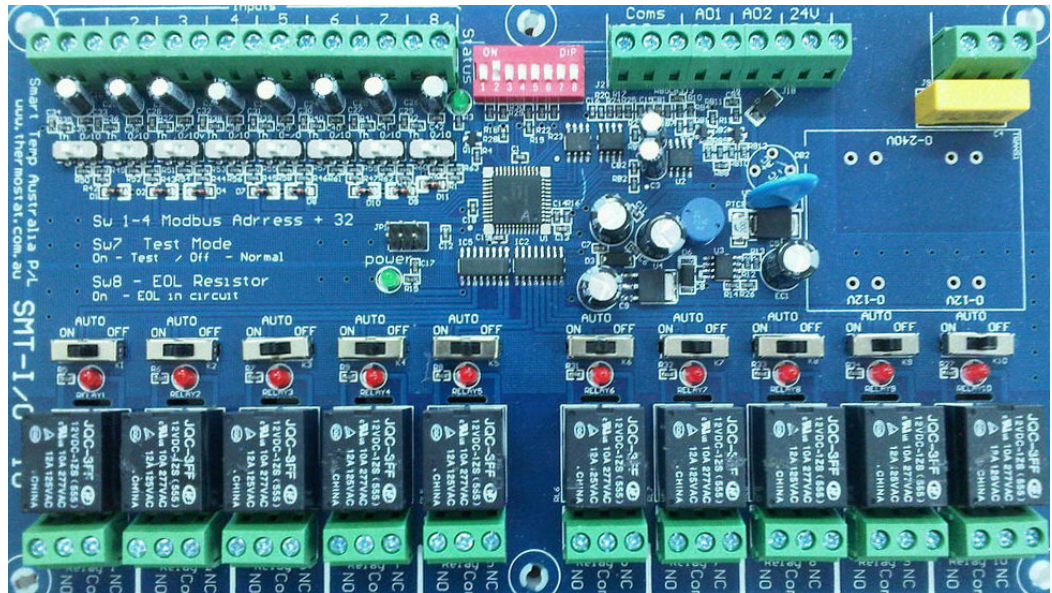


I/O Module for the use in connection with the FSC-M240-MX Controller.



Content

Section (continuation)	Page	Section (continuation)	Page
Technical Data	1	Dimensions and Electrical Drawing	4

Technical Data

Electrical Data		
Operating Voltage		24 V DC
Power Consumption		< 10 W
Electric Current		2 A
Connections		Quick connection terminals
Connections Inputs		8 digital inputs
		switch needs to be on position "left" (TH)
		Digital (on/off)
Connections Outputs		10 relays, change over contacts (potential free), max. 230 V AC @ 5A
		Each relay is fitted with an on/off/ auto switch. Switch needs to be on position "Auto" (middle)

Communication / BACnet



Application

For easy integration of inputs and outputs in combination with the FSC-M240-MX controller

Protocol

BACnet MS/TP

Medium

RS-485, not electrically isolated

Baud Rates

automatic baud rate detection

BACnet Dedicated Port

Integration into the FSC-M240-MX network via BACnet port 4 in the FSC-M240-MX controller

Addresses

BACnet addresses 124, 125, 126, settings by dip switches

Termination

120 ohm line termination. Setting by dip switch

Typical Response Time

< 100 ms

Safety

Protection Class

III (safety extra low voltage)

Protection Degree

IP00, no housing, (optional IP65 with housing)

Mechanical Data (Dimensions / Weight)

Width

120 mm

Height

19 mm

Length

210 mm

Weight

approx. 0.2 kg

See drawing page 4.

Installation

Electrical cabinet screw fixed

Optional: FSC-A-IOM24-MX to be mounted on DIN rail (type: FSC-A-IOM24-R-MX).

Or in a IP65 housing (type: FSC-A-IOM24-E-MX, FSC-A-IOM24-E2-MX)

Electrical Installation

See details page 4.

Safety Notes The FSC-A-IOM24-MX is not allowed to be used outside the specified field of application, especially in aircraft or in any other airborne means of transport.
The company buying and / or mounting the FSC-A-IOM24-MX on site bears full responsibility for the proper functioning of the whole system. Only authorized specialist may carry out the installation. All applicable legal or institutional installation regulations must be complied with during installation.
The device contains electrical and electronic components and is not allowed to be disposed of as domestic refuse. All locally valid regulations and requirements must be observed.

Optional Protection Degree IP65: Version with Housing Mounting of the FSC-A-IOM24-MX card into a polycarbonate housing with grey or transparent cover and integrated power supply unit 230 V AC / 24 V DC.
FSC-A-IOM24-MX card with power supply unit are fix mounted and wired. Type: FSC-A-IOM24-E-MX and FSC-A-IOM24-E2-MX.
Connection of 230 V AC power supply directly to the power supply unit.

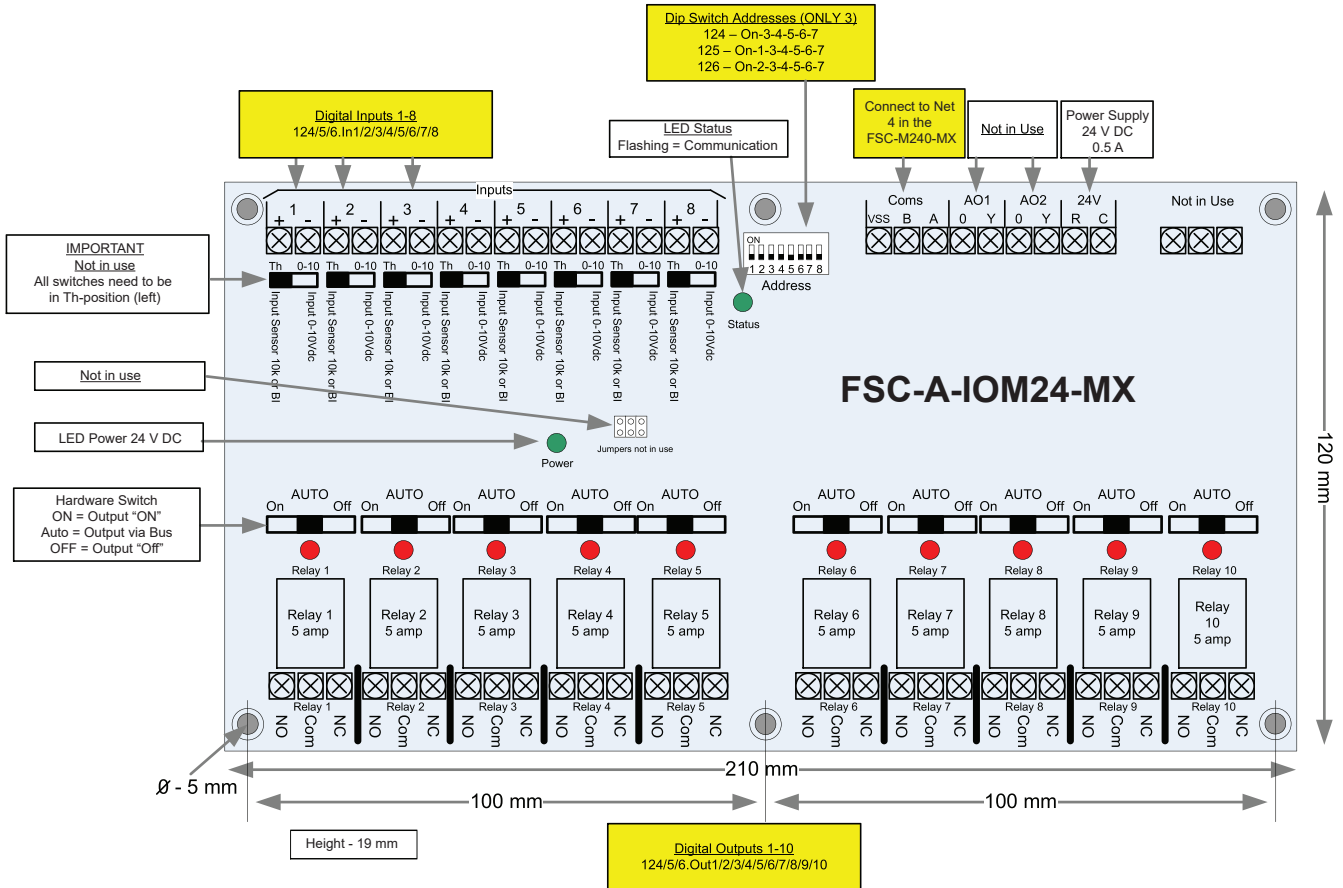
Dimensions of Housing IP65 Length: 244mm
Width: 155mm
Height: 90mm without cover, 120mm with cover

Input Voltage 230 V AC
Power Supply Unit IP65 24 V DC 0.42 Amp, 10 Watt

Product Features/Application The FSC-A-IOM24-MX is the perfect completion to integrate additional inputs and outputs for scenarios and fans into the FSC-M240-MX network. All relays and inputs can be monitored and controlled via the FSC-M240-MX controller. The inputs are digital. Digital contacts (on/off) can be connected.

The outputs are universal. LEDs to indicate status and diagnosis. The FSC-A-IOM24-MX can be mounted directly in the cabinet, on a DIN rail or in a standard housing.

Dimensions and Electrical Drawing



Systems & Modules Technology AG
 Bachtelstrasse 32
 CH-8636 Wald
 Switzerland
 Phone: +41 55 241 10 20
 Mail: info@smtec-ag.ch