

Universal Field Controller to individually control up to 2 motorized fire dampers. It is the perfect solution for bus (Modbus and BACnet) or conventional integration into a superior system. To be used for the connection of 230 V actuators.

- **New flexibility:** Universal System Link between 2 motorized fire dampers and any Modbus or BACnet system or conventional control. One bus address offers individual control and status messages for each of the two connected actuators
- **Universal with attractive pricing:** With the UFC230-2 always the right field controller on hand at very attractive prices
- **Automatic baud rate detection:** Integrated in the UFC230-2 when connected by BACnet to any BACnet controller or with the controllers from SMT
- **Additional features as standard:** Bus monitoring functionality BACnet AND Modbus, run time monitoring of the actuator as well as full auto test function are integrated in each UFC230-2
- **Compatibility:** The UFC230-2 is compatible for all major 230 V standard type fire damper actuators
- **Easy to install:** Thanks to the new mounting bracket, the UFC230-2 can easily be snapped-on any time during the project (at the damper manufacturer or at the job site). AMP plug-in and quick connections (terminals)
- **Easy configuration of control modes (via dip switch terminal):**
 - Bus protocols: Modbus or BACnet
- **Safety function:** Application dedicated safety function for fire dampers. Digital input can be used for the manual override safety function (fire alarm system)
- **Clear indication:** Easy and clear indication of function, position and status with LEDs
- **Easy testing:** Independent, individual functional control per damper through the two test keys at any time



Technical Data

Nominal Voltage	230 V AC
Nominal Voltage Range	-20%... + 20%
Dimensioning	2 VA + damper actuator (max. 24 VA)
Power Consumption	2 W + damper actuator
Connections	AMP plug-in connections and quick connections (terminals)
Communication	Modbus RTU (RS-485) or BACnet MS/TP (RS-485)
Protection Degree	IP42, housing of non-flammable polycarbonate
Certified	TÜV, CE

For more details see Technical Data Sheet

Application

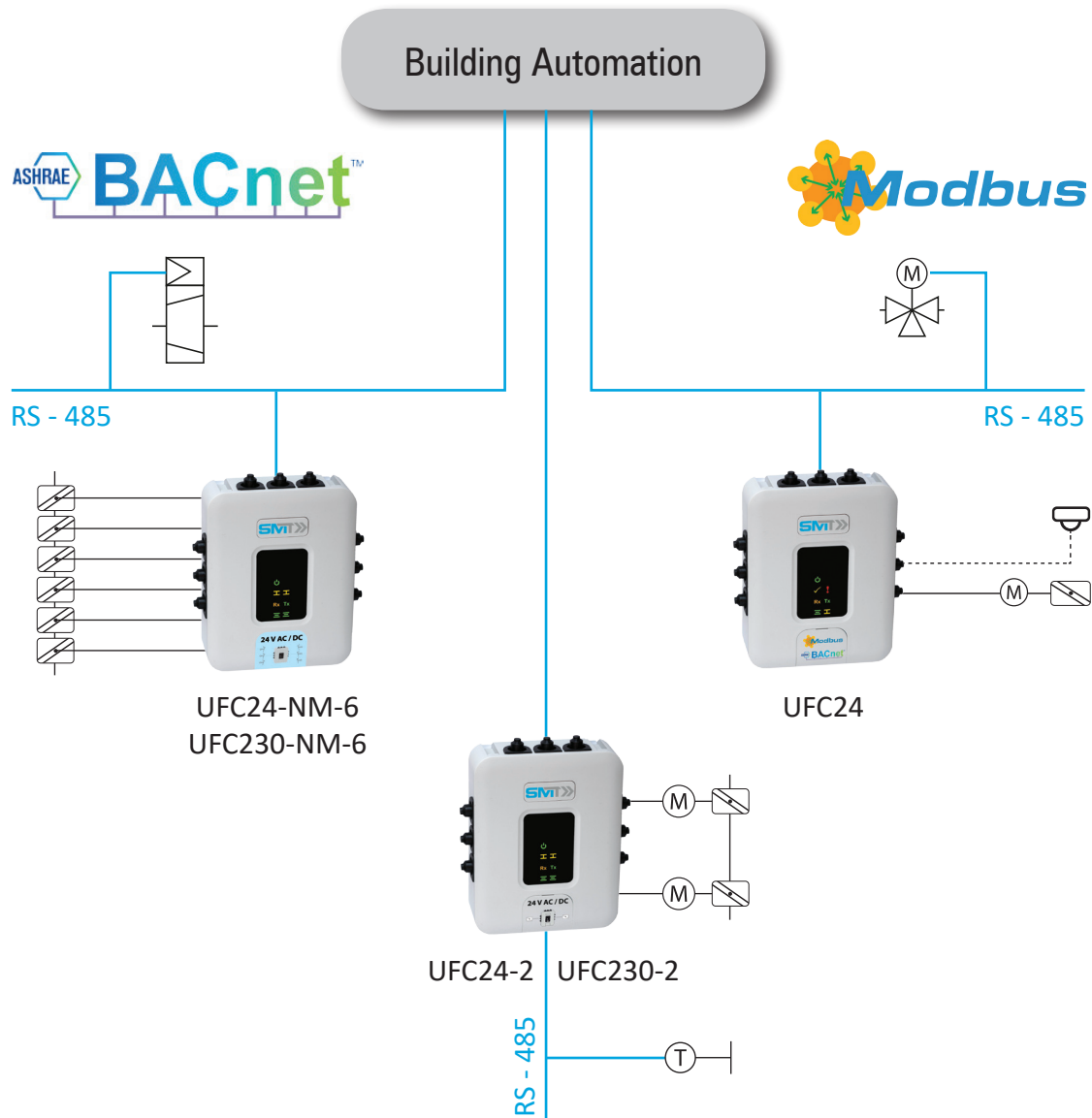
The UFC230-2 is used together with 1 or 2 fire damper actuators to individually control and monitor 1 or 2 fire dampers. This Universal Field Controller has one bus address which offers individual control and status messages for each of the two connected actuators. It offers Modbus, BACnet or conventional connection and is normally mounted at or close to the damper. The UFC230-2 is used for the connection of 230 V actuators.

Additional Connections

Inputs

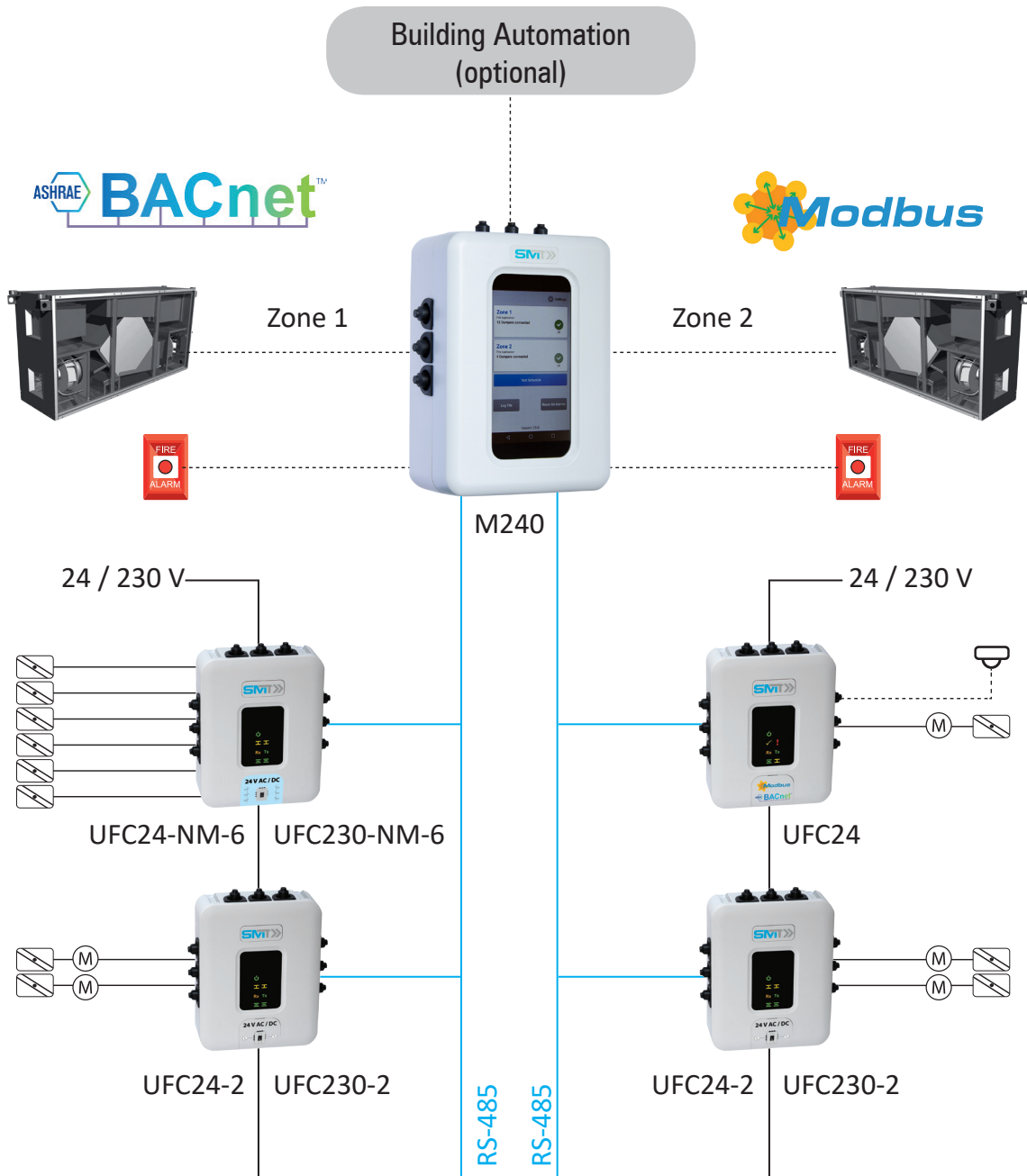
Digital inputs for conventional application

Direct Integration



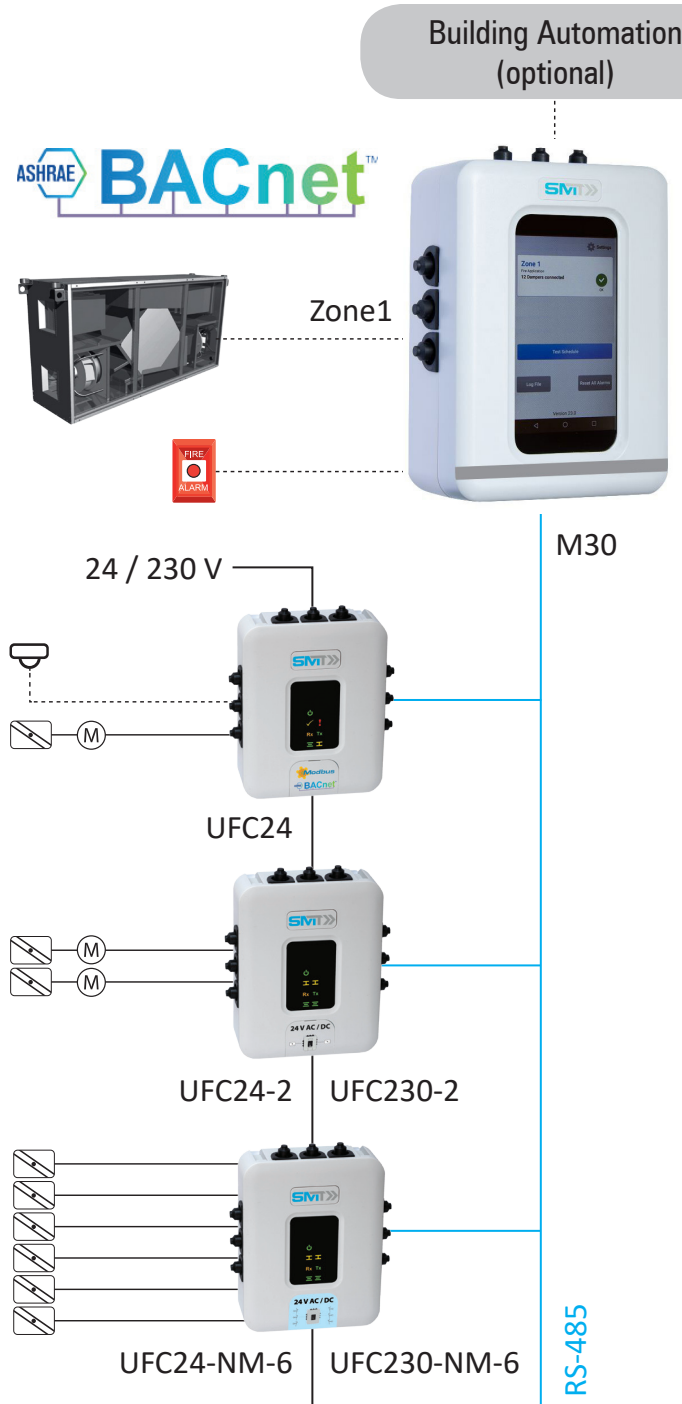
- Upon request, SMT supplies the functional profile of the UFC devices for the easy integration into any Modbus or BACnet controller

Universal System M240



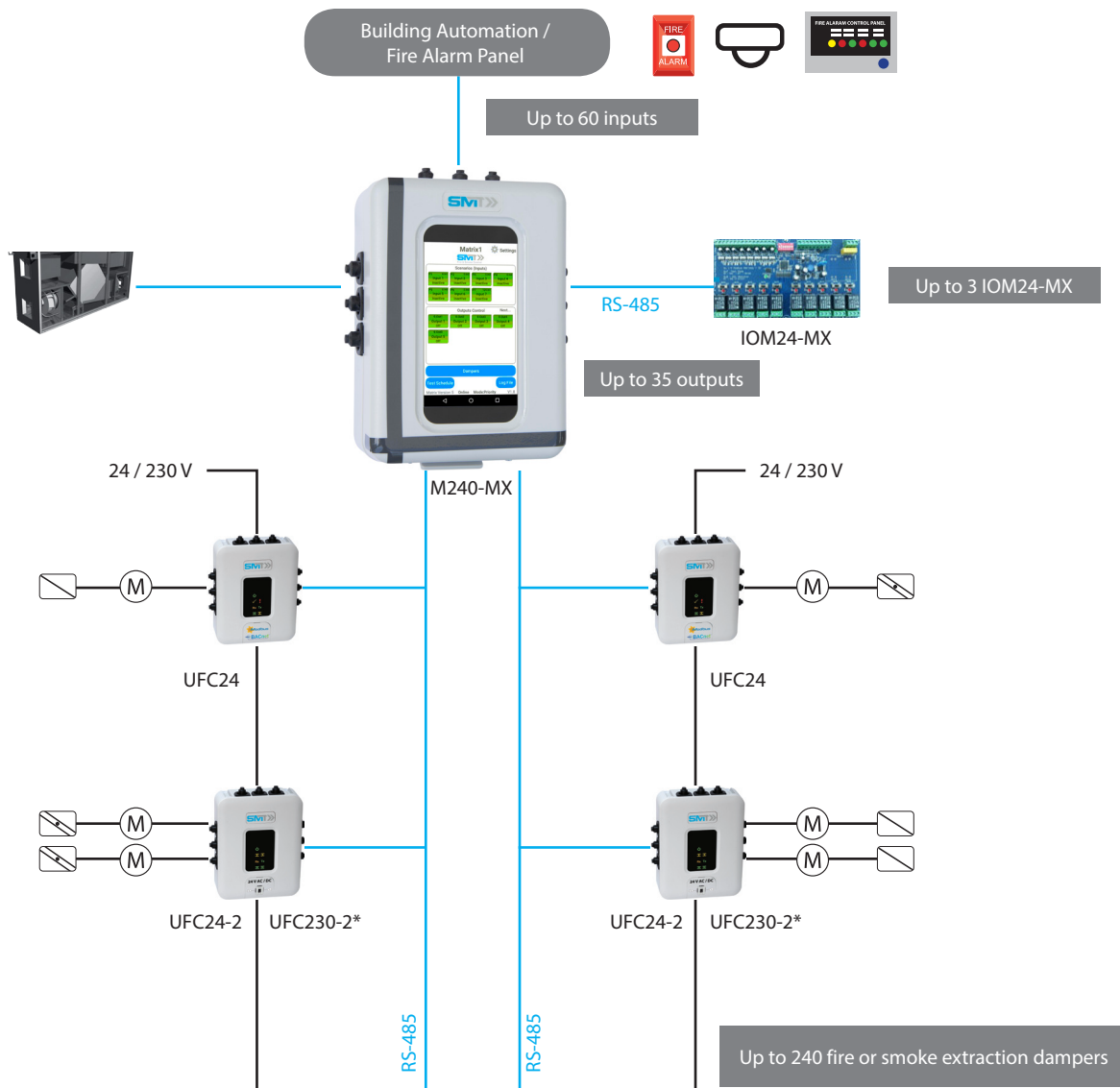
- Upon request, SMT supplies the functional profile of the UFC devices for the easy integration into any Modbus or BACnet controller
- Individual control of 2 dampers together with the UFC24-2 / UFC230-2
- UFC devices are available for the connection of 24 V and 230 V actuators (24 V: UFC24, UFC24-2; 230 V: UFC24-230, UFC230-2)
- UFC devices are available for non-motorized fire dampers / for up to 6 end limit switches (24 V: UFC24-NM-6; 230 V: UFC230-NM-6)

Universal System M30



- Individual control of 2 dampers together with the UFC24-2 / UFC230-2
- UFC devices are available for the connection of 24 V and 230 V actuators (24 V: UFC24, UFC24-2; 230 V: UFC24-230, UFC230-2)
- UFC devices are available for non-motorized fire dampers / for up to 6 end limit switches (24 V: UFC24-NM-6; 230 V: UFC230-NM-6)

Universal Matrix System M240-MX



- Up to 60 inputs / scenarios
- Up to 35 outputs (e.g. ventilators)
- Up to 240 fire or smoke extraction dampers
- 3 lines (lines 1 and 2: up to 60 UFC devices / line. Line 4: up to 3 IOM24-MX)
- Modular expansion of I/O's based on project size (via up to 3 IOM24-MX)
- Individual control of 2 dampers together with the UFC24-2 / UFC230-2
- UFC devices are available for the connection of 24 V and 230 V actuators (24 V: UFC24, UFC24-2; 230 V: UFC230-2, UFC24-230)
- UFC24, UFC24-230 and UFC24-2 for fire and smoke extraction dampers
*UFC230-2 for fire dampers only



Systems & Modules Technology AG
 Bachtelstrasse 32
 CH-8636 Wald
 Switzerland
 Phone: +41 55 241 10 20
 Mail: info@smtec-ag.ch